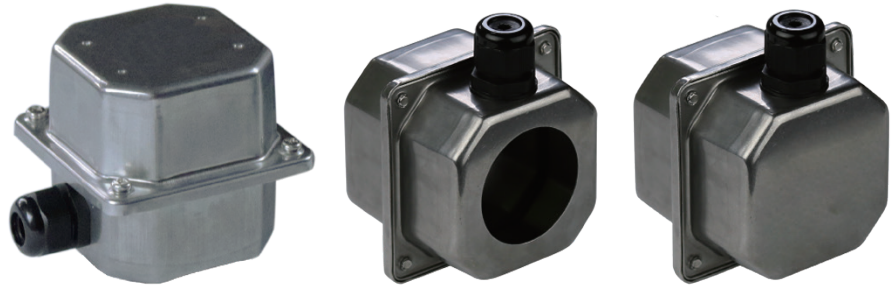


Immersion heater or temperature sensor enclosure

Size(mm)	Volume(cm ³)	Material	Protection grade		Model
90 × 90 × 75	392	stainless steel	IP69K	IK7	Y3S3

Suitable for

- Temperature sensor
- Immersion heater
- Finned heater
- Thermostat
- Level sensor
- Electronic board



Links



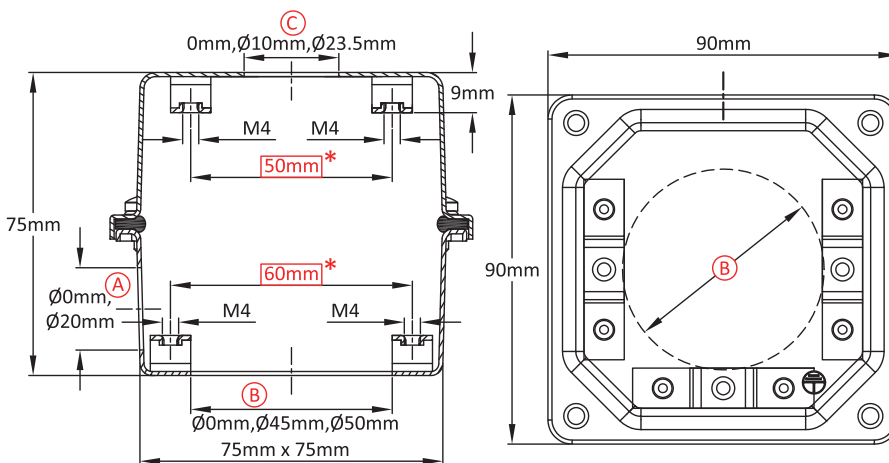
Page
(.pdf)



Drawing 2D
(.dwg)



Drawing 3D
(.stp)



Main references

			304		316					304		316	
A (mm)	B (mm)	C (mm)					A (mm)	B (mm)	C (mm)				
0	0	0	Y3S30000000G1008	Y3S30000000G1009	20	0	0	Y3S30000120G1008	Y3S30000120G1009				
0	0	10	Y3S3000A000G1008	Y3S3000A000G1009	20	0	10	Y3S3000A120G1008	Y3S3000A120G1009				
0	0	23.5	Y3S3000D000GI008	Y3S3000D000GI009	20	0	23.5	Y3S3000D120G1008	Y3S3000D120G1009				
0	45	0	Y3S34500000GI008	Y3S34500000GI009	20	45	0	Y3S34500120G1008	Y3S34500120G1009				
0	45	10	Y3S3450A000GI008	Y3S3450A000GI009	20	45	10	Y3S3450A120G1008	Y3S3450A120G1009				
0	45	23.5	Y3S3450D000GI008	Y3S3450D000GI009	20	45	23.5	Y3S3450D120G1008	Y3S3450D120G1009				
0	50	0	Y3S35000000GI008	Y3S35000000GI009	20	50	0	Y3S35000120G1008	Y3S35000120G1009				
0	50	10	Y3S3500A000GI008	Y3S3500A000GI009	20	50	10	Y3S3500A120G1008	Y3S3500A120G1009				
0	50	23.5	Y3S3500D000GI008	Y3S3500D000GI009	20	50	23.5	Y3S3500D120G1008	Y3S3500D120G1009				

Cable gland not included in these reference, consult us if you want them.

Red dimensions inside rectangular frames are used for accessories assembly.

Because of permanent improvement of our products, drawings, descriptions, features used on these data sheets are for guidance only and can be modified without prior advice.

